

Volkswagen Transporter TIP-UP



Learn more online: www.ingimex.com/tippers


INGIMEX

Volkswagen Transporter TIP-UP

Suitable for both carrying and tipping loads, the Ingimex tipper is a lightweight, high strength body with a market leading payload and designed to EN12642 XL & EN12640.

Designed and tested to the latest European standards, fitted with an array of features as standard, and easily adapted to allow for the addition of optional modifications; the Ingimex tipper is the perfect partner for your Volkswagen Transporter chassis.



DESIGNED, MANUFACTURED AND TESTED IN THE UK

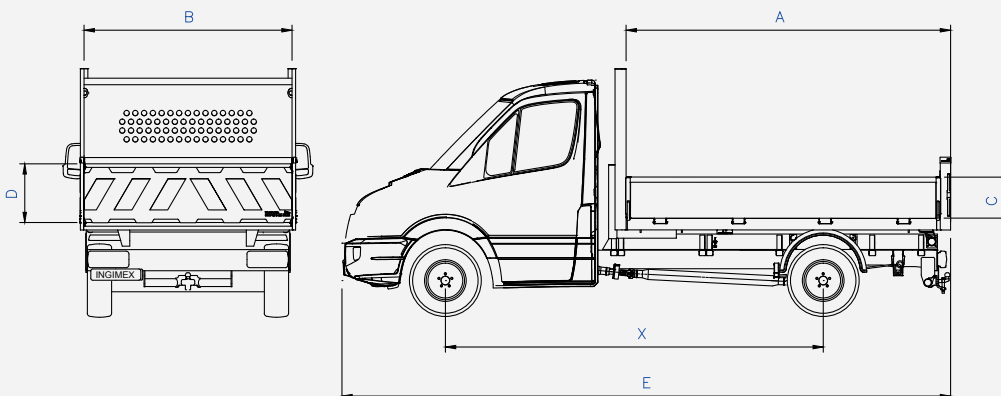


COMES WITH A 3 YEAR INGIMEX WARRANTY AS STANDARD

Cab Style	Single
Frame length	LWB
Rear Wheel	SRW
(X) Wheelbase (mm)	3400
(A) Internal Length (mm)	2710
(B) Internal Width (mm)	1868
(B) External Width (mm)	1999
(C) Sideboard Height (mm)	400
(D) Tail-board Height (mm)	600
(E) Overall Length (mm)	5375
Payload (kg)	Up to 1,000



Payload quoted based on T32 chassis



Learn more online: www.ingimex.com/tippers

Wide range of optional extras available

Our Tipper bodies support a wide range of bolt-on modifications to suit your needs

www.ingimex.com/options



www.ingimex.com ☎ +44 (0) 1952 585 833 ✉ sales@ingimex.com

