

Volkswagen Transporter PICK-UP



Learn more online: www.ingimex.com/dropsides


INGIMEX

Volkswagen Transporter PICK-UP

Suitable for general freight, the Ingimex Dropside is a low cost, lightweight, high strength body with a market leading payload designed to EN12642 XL & EN12640.

Designed and tested to the latest European standards, fitted with an array of features as standard, and easily adapted to allow for the addition of optional modifications; the Ingimex dropside is the perfect partner for your Volkswagen Transporter chassis.



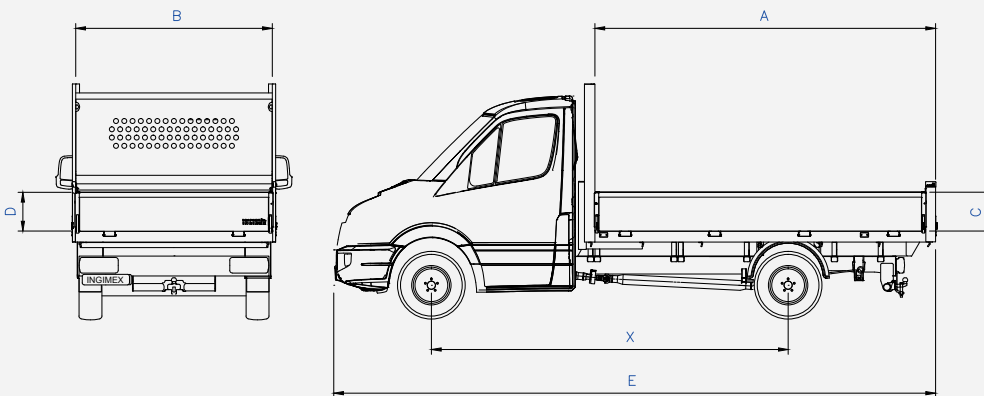
DESIGNED, MANUFACTURED AND TESTED IN THE UK



COMES WITH A 3 YEAR INGIMEX WARRANTY AS STANDARD

Cab Style	Single	Double
Frame length	LWB	
Rear Wheel	SRW	
(X) Wheelbase (mm)	3400	3400
(A) Internal Length (mm)	3003	2236
(B) Internal Width (mm)	1868	1868
(B) External Width (mm)	1999	1999
(C) Sideboard Height (mm)	400	400
(D) Tail-board Height (mm)	400	400
(E) Overall Length (mm)	5664	5664
Payload (kg)	Up to 1200	TBC

Payload quoted based on T32 chassis



Learn more online: www.ingimex.com/dropsides

Wide range of optional extras available

Our Dropside bodies support a wide range of bolt-on modifications to suit your needs.

www.ingimex.com/options



www.ingimex.com ☎ +44 (0) 1952 585 833 ✉ sales@ingimex.com

