

Volkswagen Crafter Tipper



Learn more online: www.ingimex.com/tippers


INGIMEX

Volkswagen Crafter Tipper

Suitable for both carrying and tipping loads, the Ingimex tipper is a lightweight, high strength body with a market leading payload and designed to EN12642 XL & EN12640.

Designed and tested to the latest European standards, fitted with an array of features as standard, and easily adapted to allow for the addition of optional modifications; the Ingimex tipper is the perfect partner for your Volkswagen Crafter chassis.

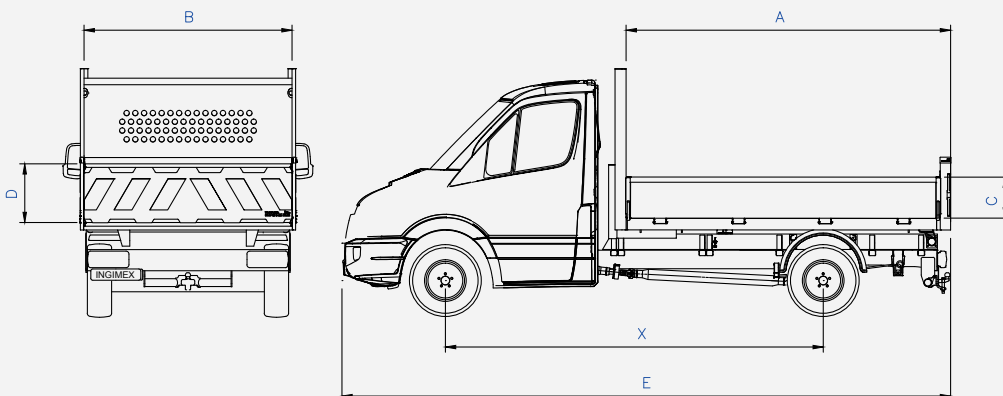


DESIGNED, MANUFACTURED AND TESTED IN THE UK



COMES WITH A 3 YEAR INGIMEX WARRANTY AS STANDARD

| Cab Style | Single | Double |
|----------------------------|--------|--------|
| Frame length | MWB | LWB |
| Rear Wheel | SRW | |
| (X) Wheelbase (mm) | 3665 | 4325 |
| (A) Internal Length (mm) | 3119 | 3119 |
| (B) Internal Width (mm) | 2026 | 2026 |
| (B) External Width (mm) | 2087 | 2087 |
| (C) Sideboard Height (mm) | 400 | 400 |
| (D) Tail-board Height (mm) | 600 | 600 |
| (E) Overall Length (mm) | 5921 | 6733 |
| Body Weight (kg) | 500 | 506 |



Learn more online: www.ingimex.com/tippers

Wide range of optional extras available

Our Tipper bodies support a wide range of bolt-on modifications to suit your needs

www.ingimex.com/options



www.ingimex.com ☎ +44 (0) 1952 585 833 ✉ sales@ingimex.com

