

# Volkswagen Crafter Dropside



Learn more online: [www.ingimex.com/dropsides](http://www.ingimex.com/dropsides)

  
**INGIMEX**

# Volkswagen Crafter Dropside

Suitable for general freight, the Ingimex Dropside is a low cost, lightweight, high strength body with a market leading payload designed to EN12642 XL & EN12640.

Designed and tested to the latest European standards, fitted with an array of features as standard, and easily adapted to allow for the addition of optional modifications; the Ingimex dropside is the perfect partner for your Volkswagen Crafter chassis.



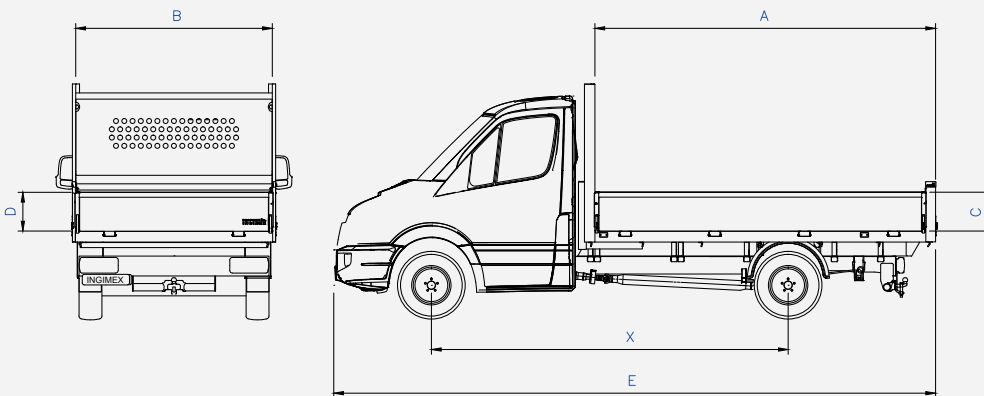
DESIGNED, MANUFACTURED AND TESTED IN THE UK



COMES WITH A 3 YEAR INGIMEX WARRANTY AS STANDARD

**Engineered to go™**

Cab Style	Single		Double	
	MWB	LWB	MWB	LWB
Frame length				
Rear Wheel	SRW			
(X) Wheelbase (mm)	3665	4325	3665	4325
(A) Internal Length (mm)	3477	4287	2665	3475
(B) Internal Width (mm)	2026	2026	2026	2026
(B) External Width (mm)	2087	2087	2087	2087
(C) Sideboard Height (mm)	400	400	400	400
(D) Tail-board Height (mm)	400	400	400	400
(E) Overall Length (mm)	6183	6993	6181	6993
Body Weight (kg)	268	311	225	268



Learn more online: [www.ingimex.com/dropsides](http://www.ingimex.com/dropsides)

Wide range of optional extras available

Our Dropside bodies support a wide range of bolt-on modifications to suit your needs.

[www.ingimex.com/options](http://www.ingimex.com/options)



[www.ingimex.com](http://www.ingimex.com) ☎ +44 (0) 1952 585 833 ✉ [sales@ingimex.com](mailto:sales@ingimex.com)

