

Iveco Daily 35C/35S Tipper



Learn more online: www.ingimex.com/tippers


INGIMEX

Iveco Daily Tipper

Suitable for both carrying and tipping loads, the Ingimex tipper is a lightweight, high strength body with a market leading payload.

Designed and tested to the latest European standards, fitted with an array of features as standard, and easily adapted to allow for the addition of optional modifications; the Ingimex tipper is the perfect partner for your Iveco Daily chassis.



DESIGNED, MANUFACTURED AND TESTED IN THE UK

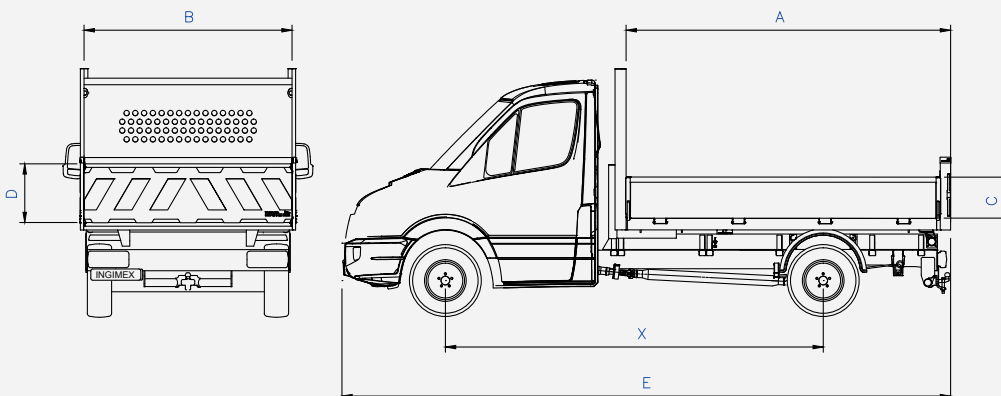


COMES WITH A 3 YEAR INGIMEX WARRANTY AS STANDARD



AVAILABLE VIA THE DRIVEAWAY CONVERSION SCHEME

Cab Style	Single	Double
Frame length	MWB	LWB
Rear Wheel	SRW	DRW
(X) Wheelbase (mm)	3450	3750
(A) Internal Length (mm)	3119	2669
(B) Internal Width (mm)	2026	2026
(B) External Width (mm)	2087	2087
(C) Sideboard Height (mm)	400	400
(D) Tail-board Height (mm)	600	600
(E) Overall Length (mm)	5700	6015
Body Weight (kg)	490	470



Learn more online: www.ingimex.com/tippers

Wide range of optional extras available

Our Tipper bodies support a wide range of bolt-on modifications to suit your needs

www.ingimex.com/options



www.ingimex.com ☎ +44 (0) 1952 585 833 ✉ sales@ingimex.com

