

# Iveco Daily 35C/35S Dropside



Learn more online: [www.ingimex.com/dropsides](http://www.ingimex.com/dropsides)

  
**INGIMEX**

# Iveco Daily Dropside

Suitable for general freight, the Ingimex Dropside is a low cost, lightweight, high strength body with a market leading payload designed to EN12642 XL & EN12640.

Designed and tested to the latest European standards, fitted with an array of features as standard, and easily adapted to allow for the addition of optional modifications; the Ingimex dropside is the perfect partner for your Iveco Daily chassis.



DESIGNED, MANUFACTURED AND TESTED IN THE UK

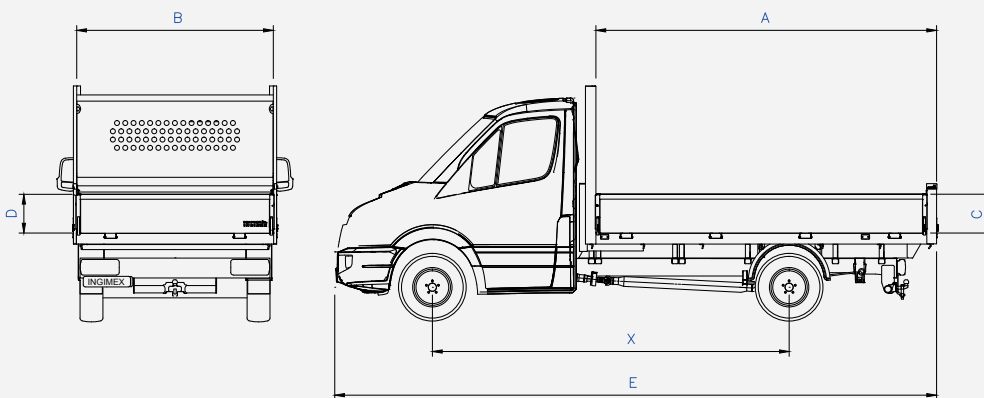


COMES WITH A 3 YEAR INGIMEX WARRANTY AS STANDARD



AVAILABLE VIA THE DRIVEAWAY CONVERSION SCHEME

Cab Style	Single			Double		
Frame length	3450	3750	4100	3450	3750	4100
Rear Wheel	SRW / DRW					DRW
(X) Wheelbase (mm)	3450	3750	4100	3450	3750	4100
(A) Internal Length (mm)	3608	4218	4618	2843	3453	3853
(B) Internal Width (mm)	2026	2026	2026	2026	2026	2026
(B) External Width (mm)	2087	2087	2087	2087	2087	2087
(C) Sideboard Height (mm)	400	400	400	400	400	400
(D) Tail-board Height (mm)	400	400	400	400	400	400
(E) Overall Length (mm)	6183	6793	7193	6183	6793	7193
Body Weight (kg)	275	307	328	234	267	288



Learn more online: [www.ingimex.com/dropsides](http://www.ingimex.com/dropsides)

Wide range of optional extras available

Our Dropside bodies support a wide range of bolt-on modifications to suit your needs.

[www.ingimex.com/options](http://www.ingimex.com/options)



[www.ingimex.com](http://www.ingimex.com) ☎ +44 (0) 1952 585 833 ✉ [sales@ingimex.com](mailto:sales@ingimex.com)

**INGIMEX**