

Citroën Relay Luton Van



Learn more online: www.ingimex.com/Luton-Vans


INGIMEX

Citroën Relay Luton Van

Designed for dry freight or secure loads, the Ingimex Luton van has a market leading payload and designed to EN12642 XL & EN12640.

Designed and tested to the latest European standards, fitted with an array of features as standard, and easily adapted to allow for the addition of a tail-lift; the Ingimex Luton van is the perfect partner for your Citroën Relay chassis.

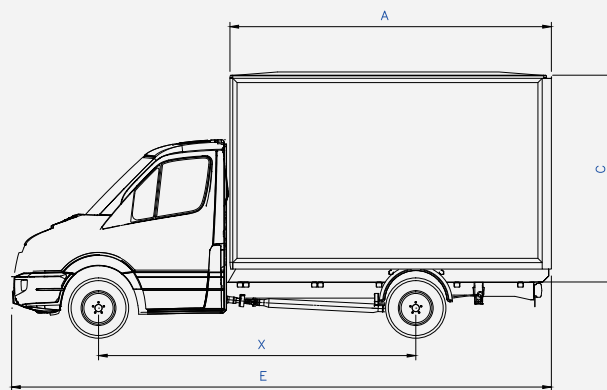
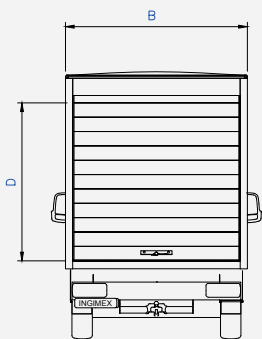


DESIGNED, MANUFACTURED AND TESTED IN THE UK



COMES WITH A 3 YEAR INGIMEX WARRANTY AS STANDARD

Cab Style	Single	Single
Frame length	L3	L4
Rear Wheel	SRW	
(X) Wheelbase (mm)	4035	4035EF
(A) Internal Length (mm)	3735	4119
(B) Internal Width (mm)	1951	1951
External Width (mm)	2100	2100
(C) Internal Height (mm)	2120	2120
(D) Aperture Height (mm)	1770	1770
(E) Overall Length (mm)	6259	6642
Body Weight (kg)	610	625



Learn more online: www.ingimex.com/luton-vans

Wide range of optional extras available

Our Luton bodies support a wide range of bolt-on modifications to suit your needs.

www.ingimex.com/options



www.ingimex.com ☎ +44 (0) 1952 585 833 ✉ sales@ingimex.com

